

PLACE VALUE

A place value is the position of a digit in a number.
The digit is in the position of ones, tens, hundreds or thousands.

1. Complete the table. The first one has been completed for you.

Number	Thousands	Hundreds	Tens	Ones
4563	4	5	6	3
1965				
487				
99				
7432				

2. Write the place value of the underlined numbers.

a. 5324 - _____

b. 5324 - _____

c. 5324 - _____

d. 5324 - _____

3. Underline all the hundreds with GREEN and the ones with BLUE in each number.

5391

453

78

3910

974

ODD and EVEN numbers

ODD

An odd number can't be divided by 2. They end with 1, 3, 5, 7 and 9.

EVEN

With an even number you can count in 2's. They end with 2, 4, 6 and 8.

1. Write down all the even numbers between 20 and 40.

2. Write down all the odd numbers between 30 and 50.

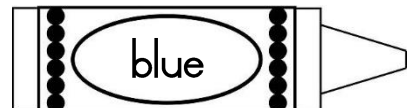
3. Write down all the even numbers between 100 and 120.

Color the numbers according to the crayons:

EVEN



ODD



47

101

228

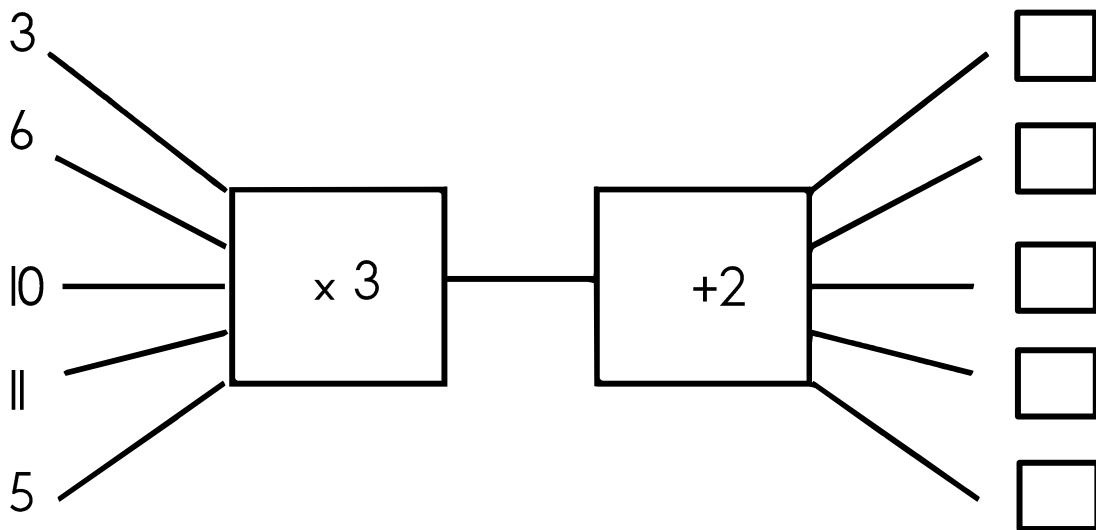
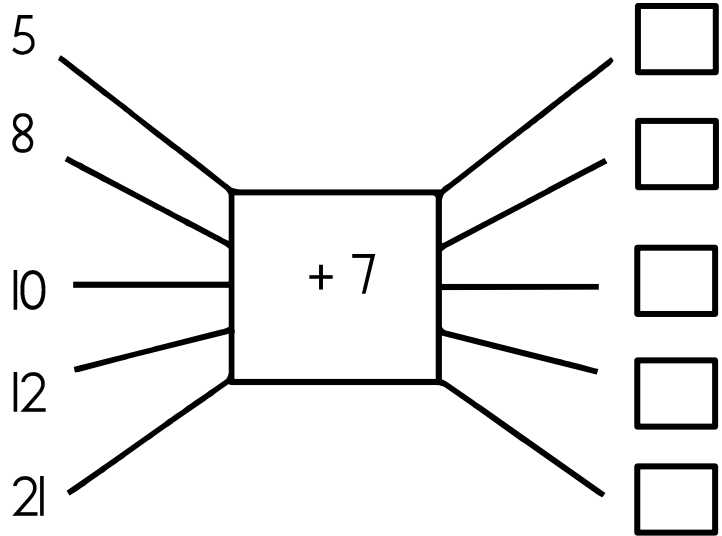
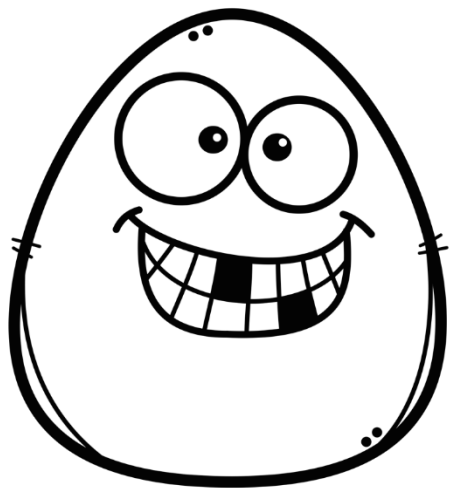
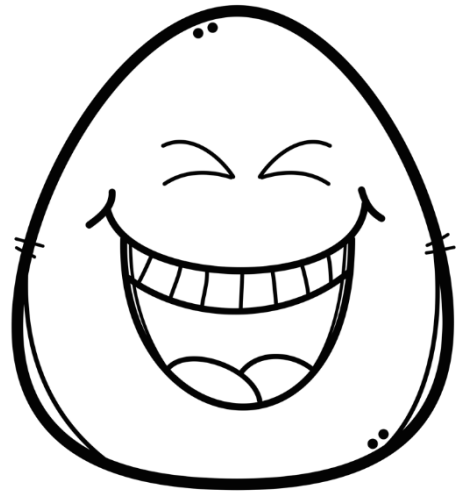
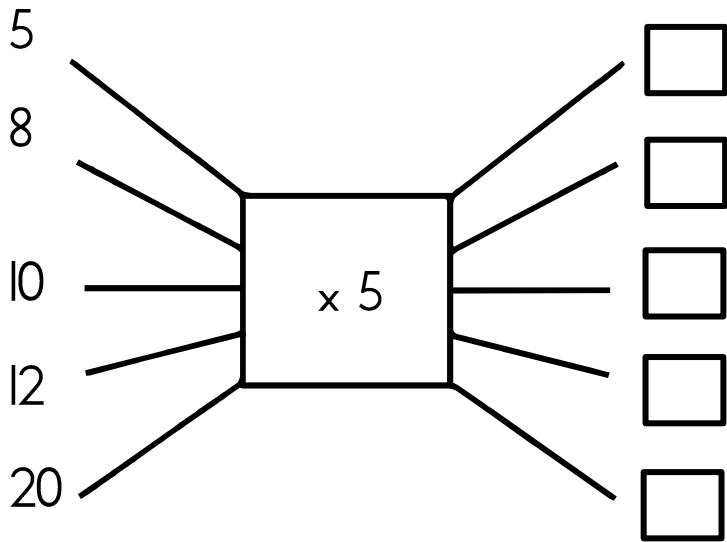
22

13

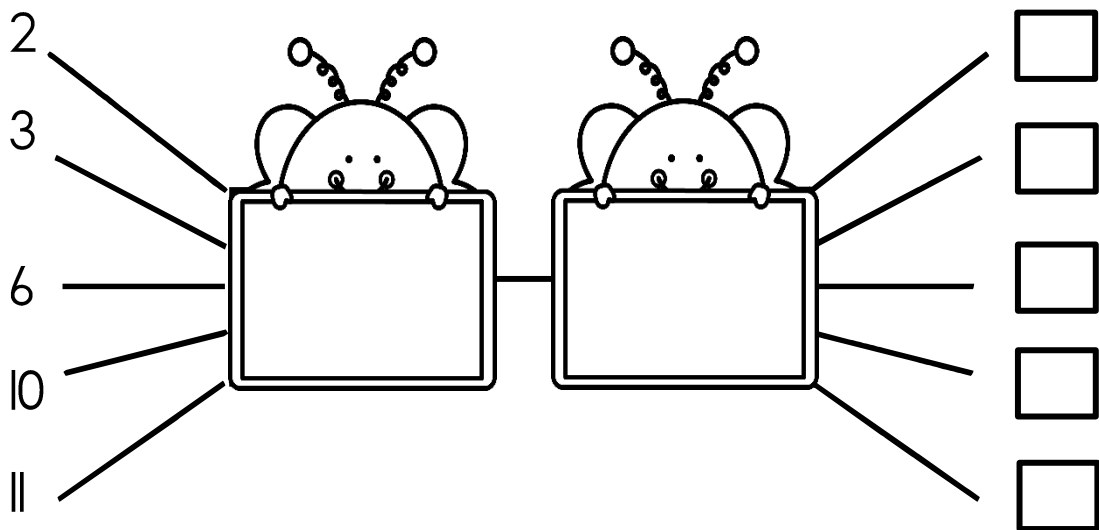
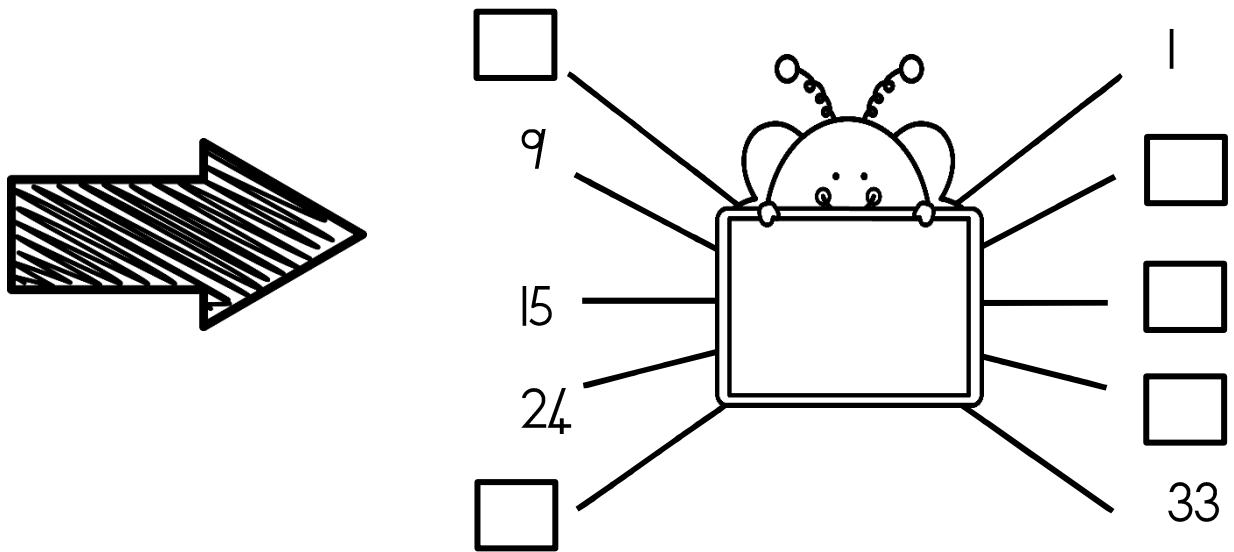
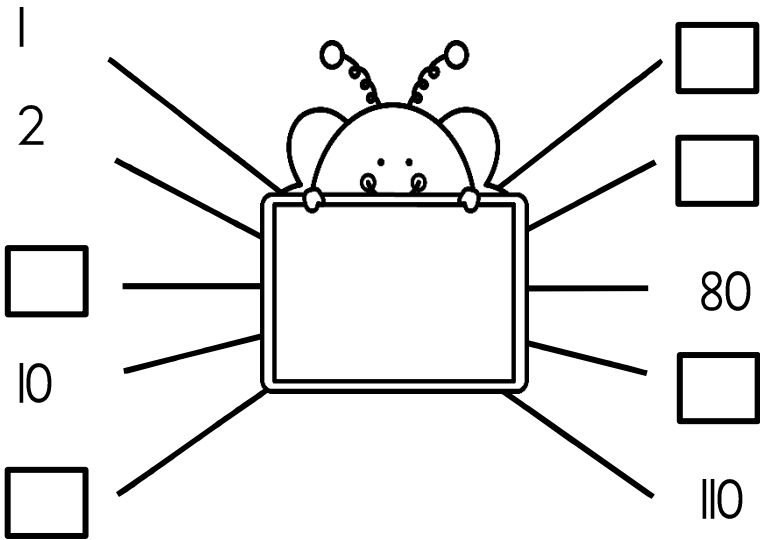
90

3786

Flow diagrams

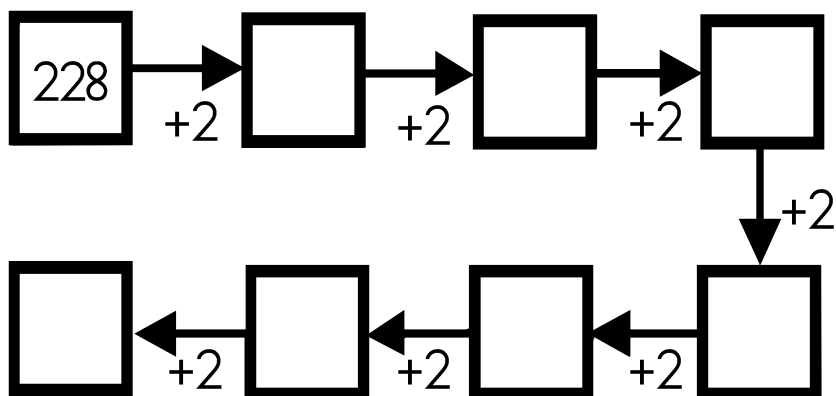
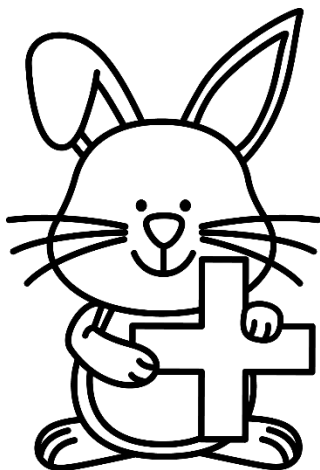
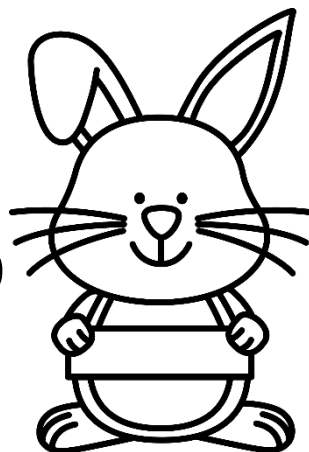
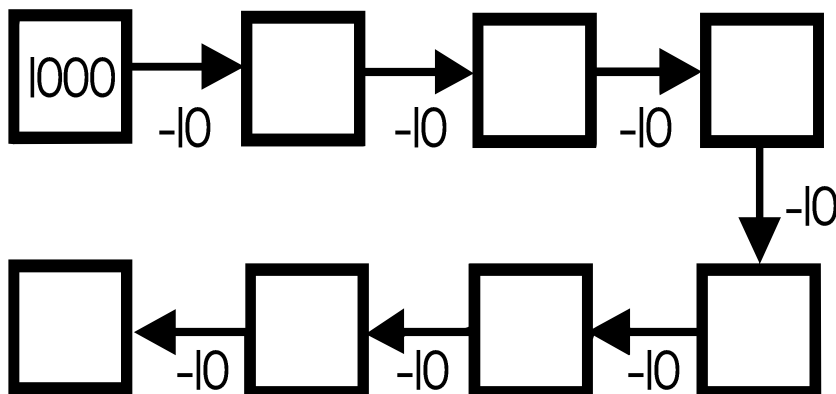
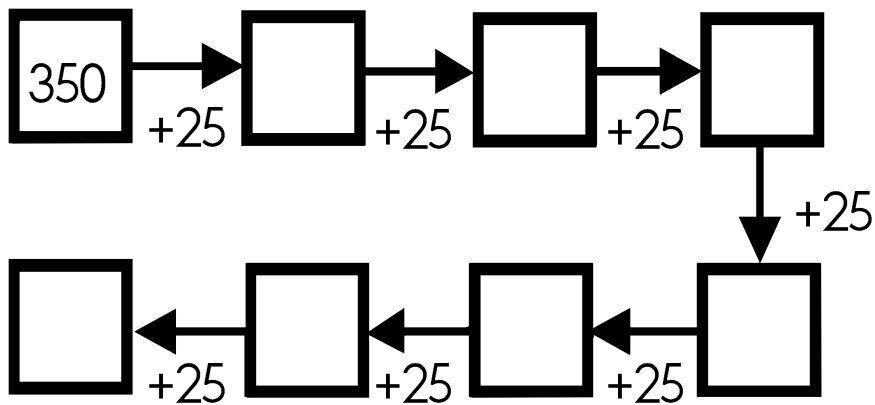
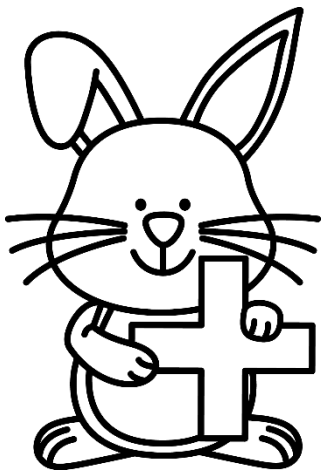


Flow diagrams



! COUNTING !

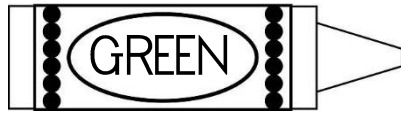
Complete the diagrams by counting forward and back.



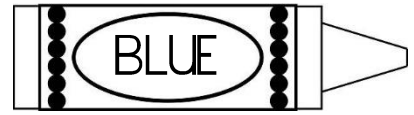
2D SHAPES

Color the shapes according to the crayons:

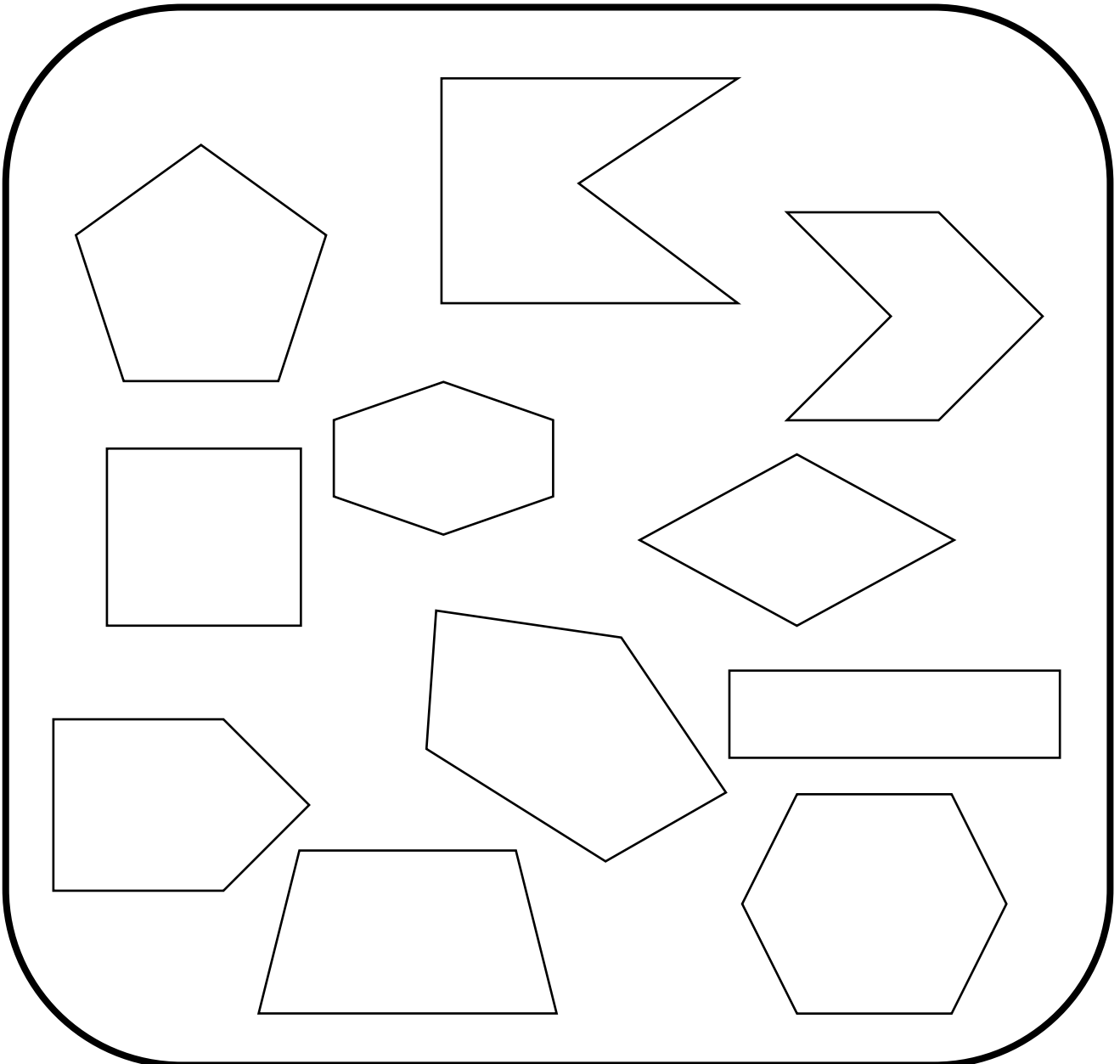
Hexagon



Pentagon



Quadrilateral



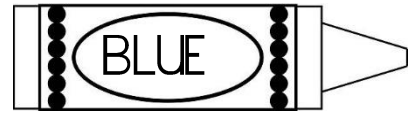
2D SHAPES

Color the shapes according to the crayons:

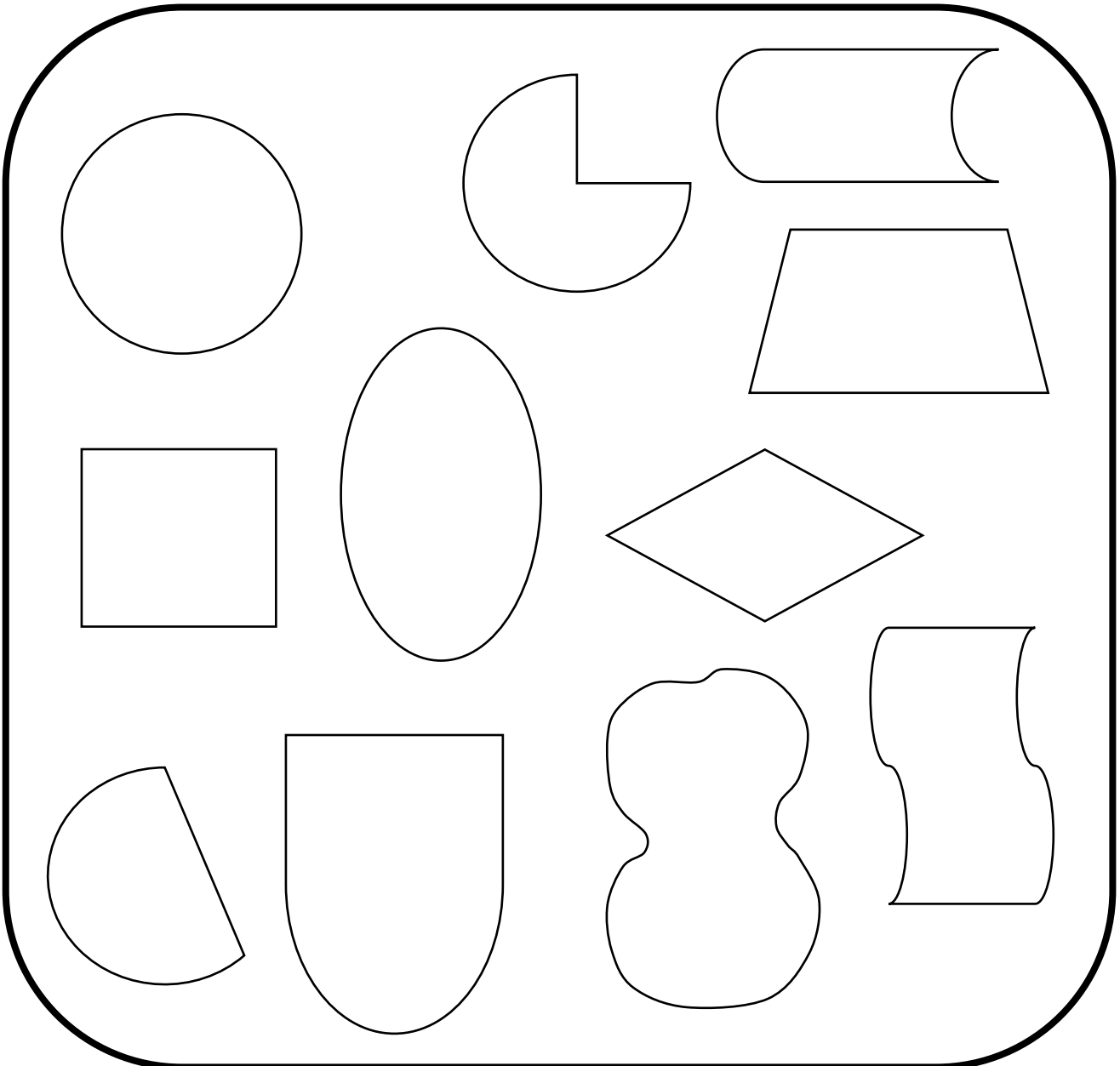
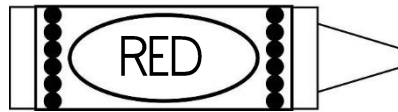
Straight
sides



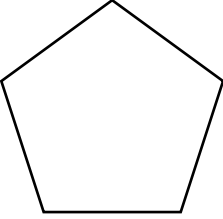
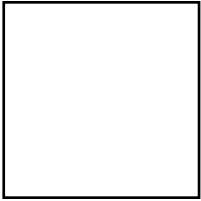
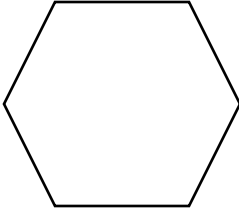
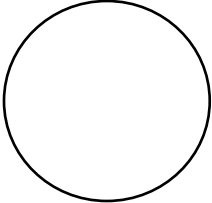
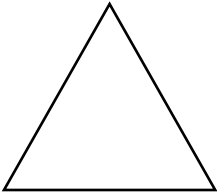
Curved
sides



Curved and straight sides



Properties of 2D SHAPES

Shape	Name	Corners	Sides
			
			
			
			
			

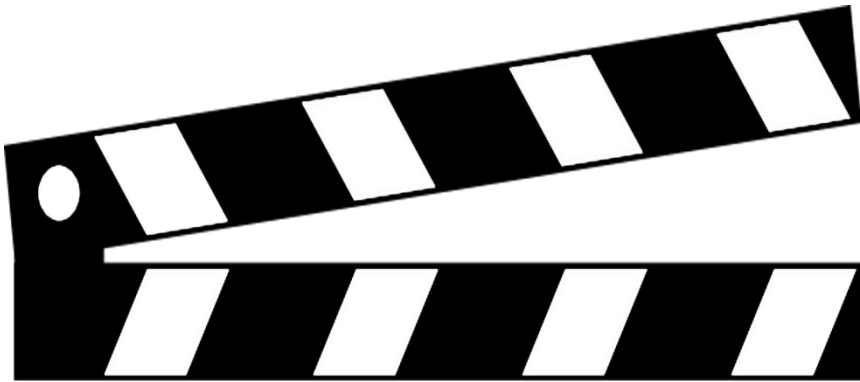
$>$, $<$ and $=$

Write the names of the symbols:

1. $<$ _____

2. $>$ _____

3. $=$ _____



Complete with $>$, $<$ or $=$

1. 89 ___ 98

2. 316 ___ 316

3. 109 ___ 190

4. 6×4 ___ $20 + 4$

5. 1532 ___ 1523

6. $100 - 60$ ___ 40

7. 5431 ___ 5413

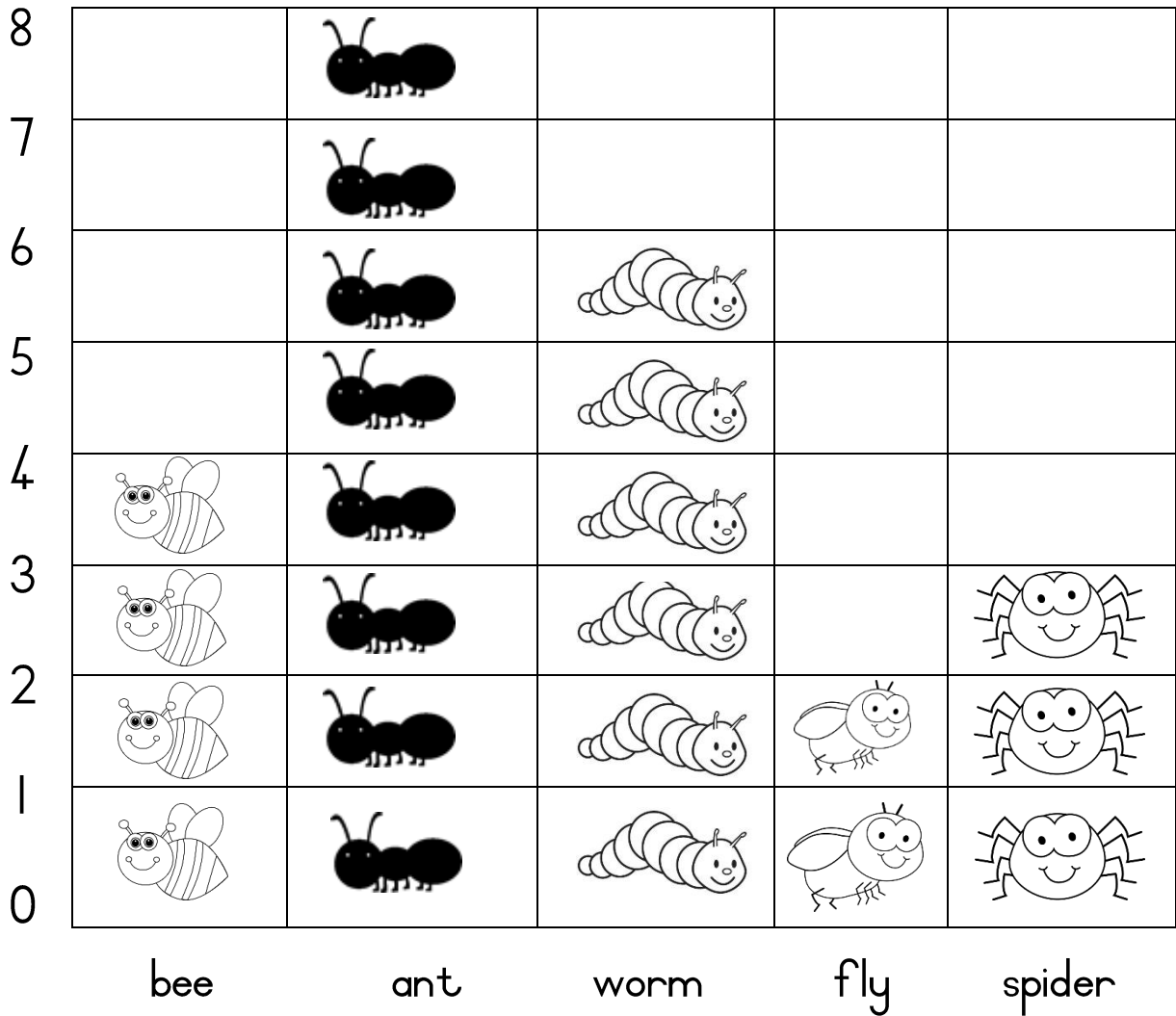
8. $100 + 90 + 9$ ___ 199

9. 5×3 ___ $5 + 5 + 5$



Tally chart

Anne caught different insects for her science project. Help her to make a tally chart about the pictogram below.



Tally chart

Bar chart

Ben is going to invite 18 of his friends to his party. He wants to know what cold drink everyone likes to drink. Look at his friends answers in the table.

Type of cold drink	Amount
1. Coke	6
2. Cream soda	8
3. Fanta grape	1
4. Sparberry	3

Assignment: Draw a bar chart about the information above.

